

# Digifel Premix - Condensing Combi Boiler



Room Thermostat with QAA73 Modulation

- 24 kW, 29 kW and 40 kW thermal capacity options
- Full combustion technology with Premix burner
- High efficiency up to %108 (according to EN 677)
- High fuel saving with condensing technology
- Stainless steel heat exchanger
- Non-gradual modulation between %15 -100 thanks to frequency-controlled fan
- Operation with frequency-controlled pump
- Hot water comfort according to EN 13203 \*\*\*
- NOx class 5
- Environmentally-friendly with low emission rates
- Failure detection and safety systems
- Opportunity of applying cascade system up to 15 units.
- Compatible with solar energy
- Operation with storagetank (optional)
- Integrated operation with outdoor sensor (optional)
- Integrated operation with room thermostat (optional)
- Embossed control panel designed specially for use of sight-disabled and elderly family members

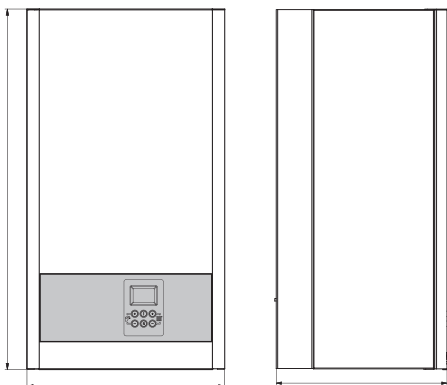


	Features	Units	DIGIFEL PREMIX CP1-25SP	DIGIFEL PREMIX CP1-30SP	DIGIFEL PREMIX CP1-40SP
Energy Performance	Rated thermal load max.	kW	22,4	27,1	37,7
	Rated thermal load min.	kW	4,8	6,1	8,9
	Max./Min.Heating power(80/60°C)	kW	21,6 / 4,5	26,2 / 5,8	36,5 / 8,5
	Max./Min.Heating power (50/30°C)	kW	24,2 / 5,2	29,3 / 6,6	40 / 9,6
	Efficiency (80/60°C)	%	96,4	96,7	96,7
	Efficiency (50/30°C)	%	108	108	106
	Combustion Performance (92/42/EEC)		****	****	****
	NOx class		5	5	5
Heating Circuit	Minimum operating pressure	bar	0,7	0,7	0,7
	Maximum operating pressure	bar	3	3	3
	Expansion tank capacity	liter	7	8	12
	Expansion tank initial pressure	bar	1	1	1
	Heating circuit temp. range	°C	20/85	20/85	20/85
Domestic Water Circuit	Domestic water temperature max./min.	°C	40/65	40/65	40/65
	Hot water amount DT=30 °K	Liter/ min	10	12	17,1
	Domestic water comfort (EN 13203)		***	***	***
	Minimum hot water flow	Liter/ min	2,1	2,1	2,3
	Water installation pressure max./min.	Bar V/Hz	10/0,5	10/0,5	10/0,5
Electrical Data	Supply voltage	W IP	230/50	230/50	230/50
	Electrical power	mbar	110	110	110
	Electrical protection class	mbar	X4D	X4D	X4D
Gas Pressure	Natural gas (G20) inlet pressure	m <sup>3</sup> /h	21	21	21
	LPG (G30/G31) inlet pressure	kg/h	30/37	30/37	30/37
	Natural gas (G20) cons. (max./min.)	kg/h	2,37 / 0,52	2,85 / 0,64	4,1/1,01
	Natural gas (G30) cons. (max./min.)	kg	1,77 / 0,39	2,12 / 0,48	2,73/0,78
	Natural gas (G31) cons. (max./min.)	mm	1,74 / 0,38	2,09 / 0,47	2,64/0,68
Weight and Sizes	Net Weight:	kg	36	38	44
	Device sizes	mm	403*733*345	403*733*410	403*733*445
	Weight (with packaging)	m	38	42	48
	Box sizes	m	470*840*420	470*840*490	470*840*520
	Max. funnel length (60/100 mm)	m	6	6	6
	Max. funnel length (80/125 mm)		12	12	7
	Max. Funnel length (80/80 mm)		60	60	40



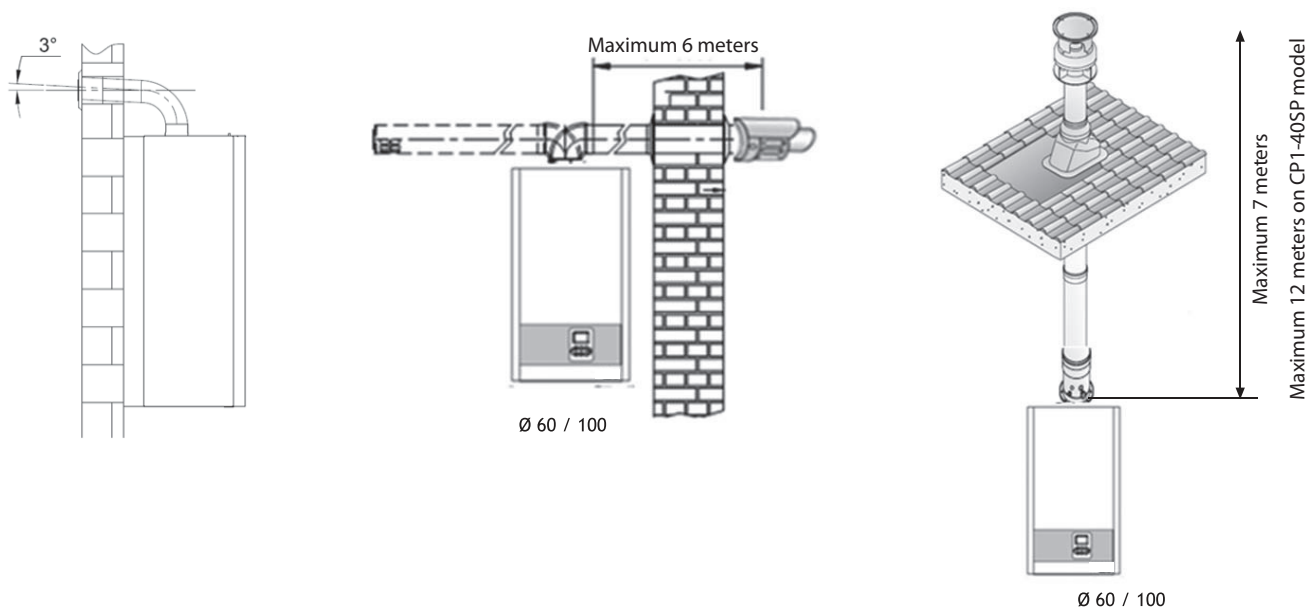
# Digifel Premix - Condensing Combi Boiler

## Dimensions



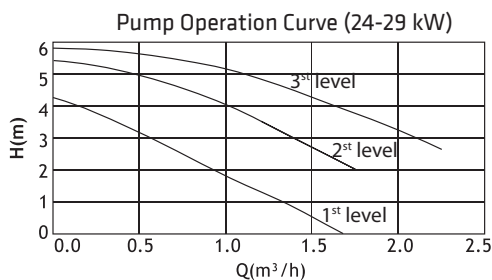
Dimensions	CP1 25 SP	CP1 30 SP	CP1 40 SP
Height (mm)	733	733	733
Width (mm)	403	403	403
Depth (mm)	345	410	445

## Flue Gas Connections

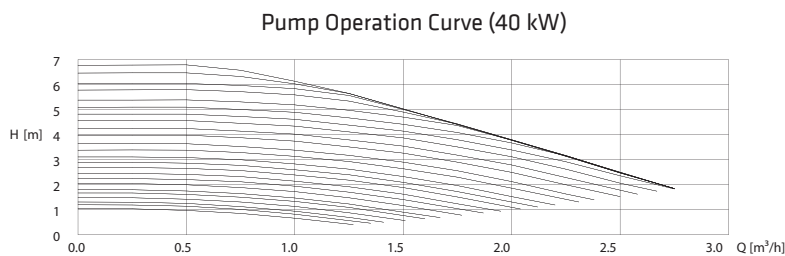


Funnel Type	Max.Total Funnel Length		Loss in every add. 90° elbow	Loss in every add. 45° elbow
	Horizontal	Vertical		
Ø 60 / 100	6 m. (C13)	12 m. (C13) 7 m. (CP1-40SP)	1 meter	0,5 meter
Ø 80 / 125	12 m. (C13) 7 m. (CP1-40SP)	13 m. C33	1 meter	0,5 meter
Ø 80 / 80	60 m. (C43-C53-C83) 40m. (CP1-40SP)		1 meter	0,5 meter

## Pump Operation Curves



Grundfos brand, low energy consumption, high performance, 3-level circulation pumps are used for 24 - 29 kW Digifel Premix condensing boilers.



Grundfos brand, UPM15-70 series frequency-controlled, high performance, circulation pumps are used for 40 kW Digifel Premix combustion boilers.