

# DUCTED HIGH PRESSURE



# DUCTED HIGH PRESSURE

## FRESH AIR

Air exchange allows introduction of clean air into the room.



## WI-FI (OPTIONAL)

Allows you to set the air conditioner remotely  
Wi-Fi connection is possible with HI-WB201DEI module.

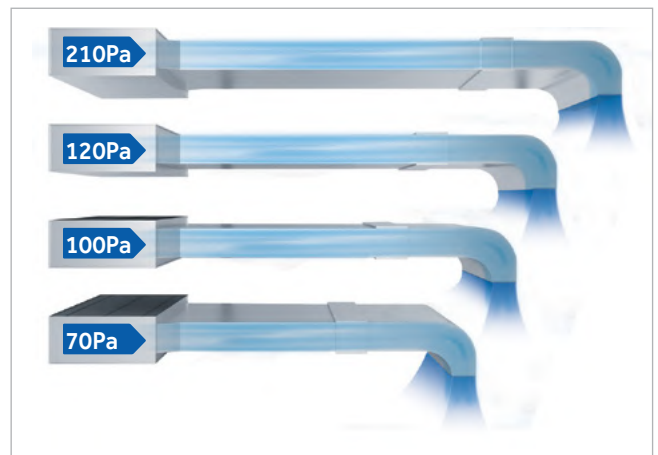


## GREATER RANGE

The indoor unit can hold up to 3 fans so that air flow can be supplied evenly across the different ESPs, further increasing comfort.

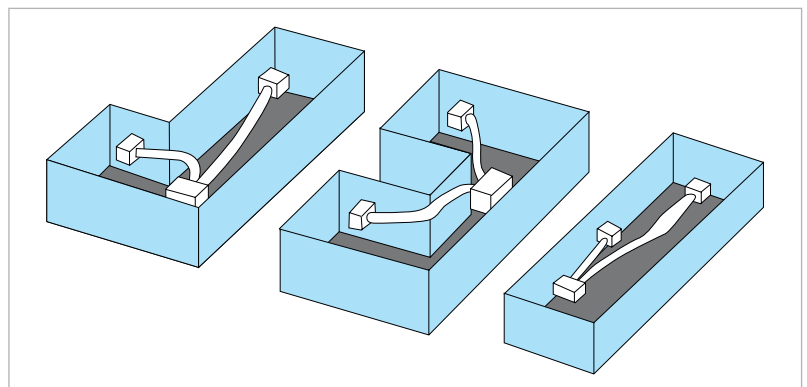
## 210PA PRESSURE SETTING

The 210Pa ducted unit with 10 configurable steps allows for high design flexibility, thus meeting the duct installation requirements.



## Flexible air distribution

The ducted units satisfy multiple installation solutions (circular or rectangular channels).



## EASY INSTALLATION: PRESSURE ADJUSTABLE IN 10 STEPS

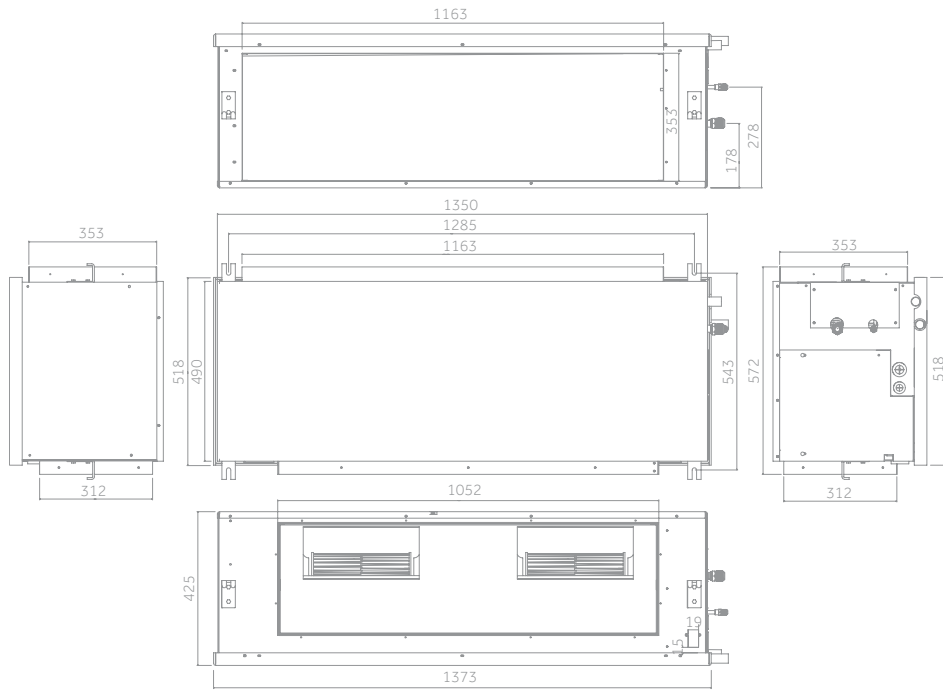
The pressure can be adjusted directly from the YR-E16B / HW-SA201ABK remote controller.



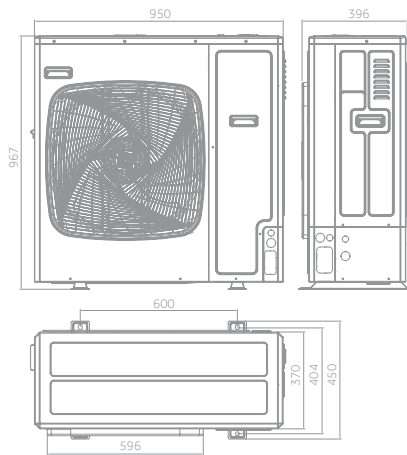
# DUCTED HIGH PRESSURE



ADH125



1U125



12,5

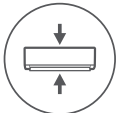
# DUCTED HIGH PRESSURE



A+ / A



Silence

Compact  
Design

Fresh Air



On-Off Card



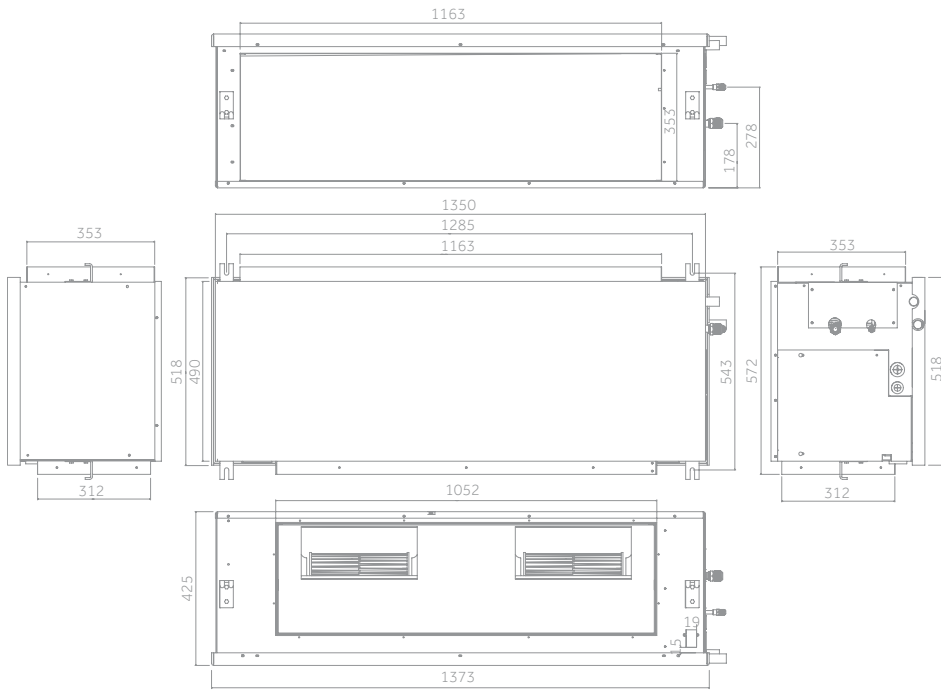
- Low noise level
- Compact design
- 'Fresh air' knockout is incorporated in the chassis to allow fresh air introduction of up to 20% of nominal unit air flow without compromising the cooling capacity. More than 20% of the air conditioner's thermal cooling capacity is penalise
- Condensate drain by gravity - drain pump not provided

Indoor Unit	Model		ADH125H1ERG	ADH125H1ERG
Outdoor Unit	Model		1U125S2SN2FA	1U125S2SN2FB
<b>Performance data</b>				
Output power - COOLING	nom (min-max)	kW	12,30 (3,00-13,00)	12,40 (3,00-13,00)
Output power - HEATING	nom (min-max)	kW	12,70 (3,50-13,50)	12,80 (3,50-13,50)
Absorbed power – COOLING	nom (min-max)	kW	4,47 (1,00-6,00)	4,56 (1,00-6,00)
Absorbed power – HEATING	nom (min-max)	kW	3,74 (1,00-6,00)	3,73 (1,00-6,00)
Energy class	EER	W/W	2,75	2,72
	COP	W/W	3,40	3,43
COOLING Pdesign	35 °C	kW	12,30	12,40
HEATING Pdesign	(-10 °C)	kW	8,00	8,00
Energy class	SEER		5,80 (A+)	5,90 (A+)
	SCOP		3,94 (A)	3,97 (A)
Annual Energy Consumption - COOLING		kWh/a	713/745	700
Annual Energy Consumption - HEATING		kWh/a	3022	2998
<b>Indoor Unit</b>				
Power supply		Ph/V/Hz	1/220-240/50/60	1/220-240/50/60
Treated air volume	(H/M/L/Q)	m3/h	3250/2750/2250/1750	3250/2750/2250/1750
External static pressure		Pa	37/50(default)/70/90/110 /130/150/170/190/210	37/50(default)/70/90/110 /130/150/170/190/210
High sound power		dB	64	64
Sound pressure		dB(A)	47/44/42/39	47/44/42/39
Net dimensions	WxDxH	mm	1350x490x425	1350x490x425
Packaging dimensions	WxDxH	mm	1565x724x510	1565x724x510
Net/gross weight		kg	61,0/72,0	61,0/72,0
<b>Outdoor Unit</b>				
Power supply		Ph/V/Hz	1 /220-240/ 50/60	3 /380-415/ 50/60
Power cable		N x mm2	3 x 6,0	5 x 4,0
Interconnection cable		N x mm2	4 x 2,5	4 x 2,5
Sound power	H	dB	72	72
Sound pressure	H	dB(A)	58	58
Running current cooling/heating	Max	A	26,0	10,0
Starting current cooling/heating	Max	A	4,0	2,0
Net dimensions	WxDxH	mm	950x370x965	950x370x965
Packaging dimensions	WxDxH	mm	1050x485x1130	1050x485x1130
Net/gross weight		kg	84,0/89,0	85,0/90,0
Compressor type			Twin rotary inverter	Twin rotary inverter
<b>Installation data</b>				
Refrigerant			R32	R32
Liquid pipe	∅	mm (inch)	9,52 (3/8)	9,52 (3/8)
Gas pipe	∅	mm (inch)	15,88 (5/8)	15,88 (5/8)
Standard pipe length without refrigerant charge		m	30	30
Maximum pipe length		m	50	50
Maximum IU - OU elevation		m	30	30
Refrigerant charge in the factory		kg	2,30	2,30
Refrigerant charge in the factory		TCO <sub>2eq</sub>	1,55	1,55
Additional ref. charge over std length		g/m	45	45
Outdoor operating limits - COOLING	min-max	°C		-20-46
Outdoor operating limits - HEATING	min-max	°C		-20-24

# DUCTED HIGH PRESSURE

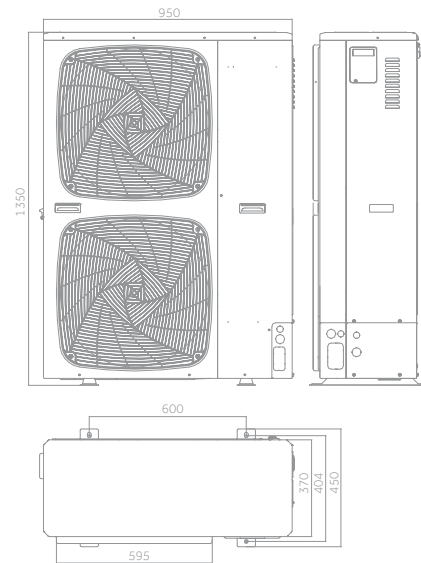
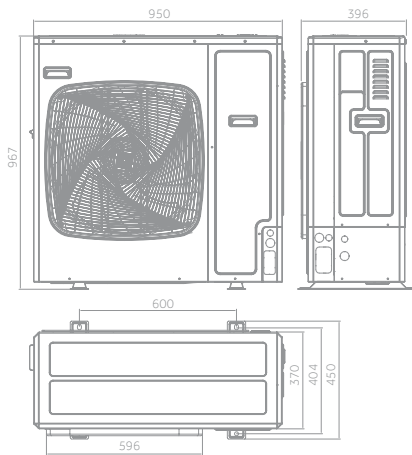


ADH140 - ADH160



1U140

1U140 - 1U160



14,0kW



14,0kW - 16,0kW

# DUCTED HIGH PRESSURE

Haier

13,6 kW

16,0 kW

Please see pages 40 & 41  
For Controller Options

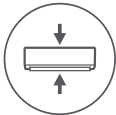
MONOSPLIT



A+ / A



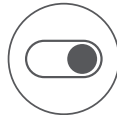
Silence



Compact  
Design



Fresh Air



On-Off Card



- Low noise level
- Compact design
- 'Fresh air' knockout is incorporated in the chassis to allow fresh air introduction of up to 20% of nominal unit air flow without compromising the cooling capacity. More than 20% of the air conditioner's thermal cooling capacity is penalise
- Condensate drain by gravity - drain pump not provided

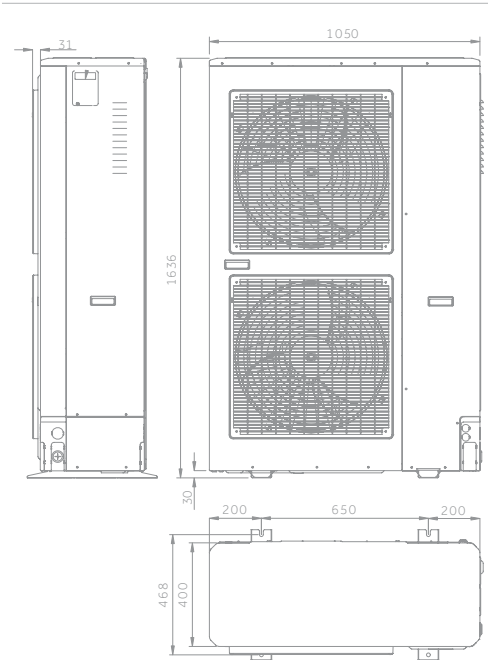
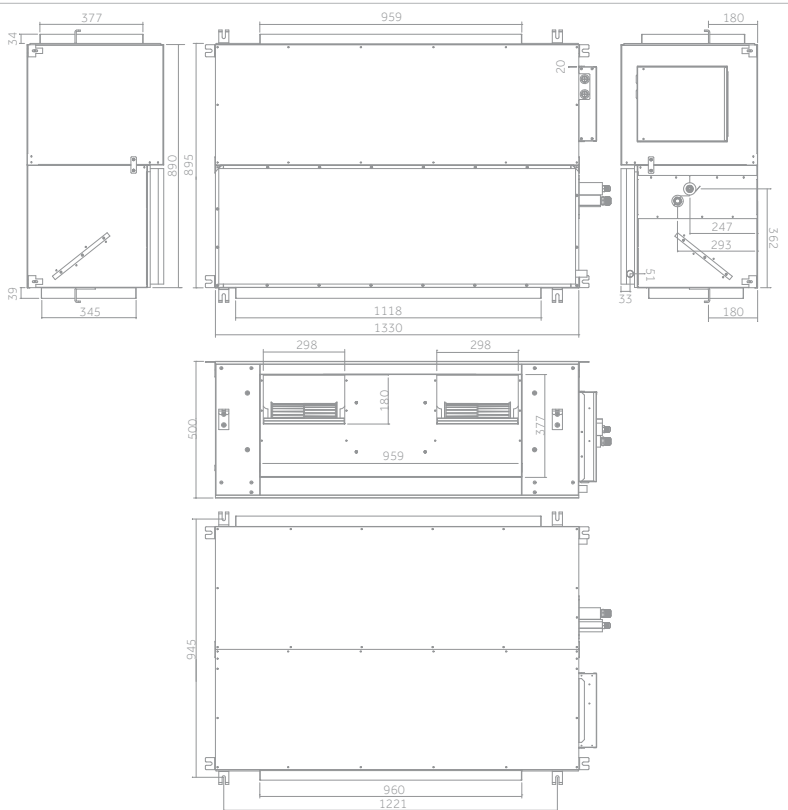
INDOOR UNIT	Model		ADH140H1ERG	ADH140H1ERG	ADH140H1ERG	ADH140H1ERG	ADH160H1ERG*
OUTDOOR UNIT	Model		1U140S2SN1FA	1U140S2SN1FB	1U140S2SP2FA	1U140S2SP2FB	1U160S2SP1FB*
Performance data							
Output power - COOLING	nom (min-max)	kW	13,40 (3,50-14,00)	13,40 (3,50-14,00)	13,60 (4,00-15,00)	13,60 (4,00-15,00)	15,0 (4,5-16,0)
Output power - HEATING	nom (min-max)	kW	15,00 (4,00-15,50)	15,00 (4,00-15,50)	15,00 (4,50-16,00)	15,00 (4,50-16,00)	16,0 (5,0-17,0)
Absorbed power - COOLING	nom (min-max)	kW	4,75 (1,00-6,50)	4,59 (1,00-6,50)	4,24 (1,00-6,00)	4,22 (1,00-6,00)	6,0 (1,8-6,4)
Absorbed power - HEATING	nom (min-max)	kW	4,53 (1,00-6,50)	4,37 (1,00-6,50)	4,04 (1,00-6,00)	4,02 (1,00-6,00)	6,4 (1,6-5,48)
Energy class	EER	W/W	2,82	2,92	3,21	3,22	2,5
	COP	W/W	3,31	3,43	3,71	3,73	3,1
COOLING Pdesign	35 °C	kW	13,40	13,40	13,60	13,60	15,0
HEATING Pdesign	(-10 °C)	kW	8,50	8,50	10	10	11,0
Energy class	SEER		5,84 (A+)	5,98 (A+)	6,16 (A++)	6,18 (A++)	5,6 (A+)
	SCOP		3,94 (A)	3,97 (A)	4,07 (A+)	4,10 (A+)	4,0 (A+)
Annual Energy Consumption - COOLING		kWh/a	803	785	761	759	880
Annual Energy Consumption - HEATING		kWh/a	3022	2998	3786	3754	3859
Indoor Unit							
Power supply		Ph/V/Hz	1/220-240/50/60	1/220-240/50/60	1/220-240/50/60	1/220-240/50/60	1/220-240/50/60
Treated air volume	(H/M/L/Q)	m <sup>3</sup> /h	3600/3100/2600/2100	3600/3100/2600/2100	3600/3100/2600/2100	3600/3100/2600/2100	4000/3400/2800/2200
External static pressure		Pa	37/50(default)/70/90/110/130/150/170/190/210				
High sound power		dB	65	65	65	65	67
Sound pressure		dB(A)	49/46/43/40	49/46/43/40	49/46/43/40	49/46/43/40	50/47/45/42
Net dimensions	WxDxH	mm	1350x490x425	1350x490x425	1350x490x425	1350x490x425	1350x490x425
Packaging dimensions	WxDxH	mm	1565x724x510	1565x724x510	1565x724x510	1565x724x510	1565x724x510
Net/gross weight		kg	61,0/72,0	61,0/72,0	61,0/72,0	61,0/72,0	61/72
Outdoor Unit							
Power supply		Ph/V/Hz	1/220-240/50/60	3/380-415/50/60	1/220-240/50/60	3/380-415/50/60	3/380-415/50/60
Power cable		N x mm <sup>2</sup>	3 x 6,0	5 x 4,0	3 x 6,0	5 x 4,0	5 x 4,0
Interconnection cable		N x mm <sup>2</sup>	4 x 2,5	4 x 2,5	4 x 2,5	4 x 2,5	4 x 2,5
Sound power	H	dB	72	72	70	70	74
Sound pressure	H	dB(A)	58	58	53	53	58
Running current cooling/heating	Max	A	30,0	10,0	32,0	10,0	10,0
Starting current cooling/heating	Max	A	5,0	2,0	6,0	2,0	2,0
Net dimensions	WxDxH	mm	950x370x965	950x370x965	950x370x1350	950x370x1350	950x370x1350
Packaging dimensions	WxDxH	mm	1050x485x1130	1050x485x1130	1050x485x1500	1050x485x1500	1050x485x1500
Net/gross weight		kg	84,0/89,0	85,0/90,0	105,0/118,0	101,0/116,0	101/116
Compressor type			Twin rotary inverter	Twin rotary inverter	Twin rotary inverter	Twin rotary inverter	Twin Rotary Inverter
Installation data							
Refrigerant			R32	R32	R32	R32	R32
Liquid pipe	∅	mm (inch)	9,52 (3/8)	9,52 (3/8)	9,52 (3/8)	9,52 (3/8)	9,52 (3/8)
Gas pipe	∅	mm (inch)	15,88 (5/8)	15,88 (5/8)	15,88 (5/8)	15,88 (5/8)	19,05 (3/4)
Standard pipe length without refrigerant charge		m	30	30	30	30	30
Maximum pipe length		m	70	70	70	70	70
Maximum IU - OU elevation		m	30	30	30	30	30
Refrigerant charge in the factory		kg	2,30	2,30	2,90	3,50	3,5
Refrigerant charge in the factory		TCO2eq	1,55	1,55	1,96	2,36	2,36
Additional ref. charge over std length		g/m	45	45	45	45	60
Outdoor operating limits - COOLING	min-max	°C	-20-46				
Outdoor operating limits - HEATING	min-max	°C	-20-24				

# DUCTED HIGH PRESSURE R410A



ADH200 - ADH250

1UH200 - 1UH250



20.0kW - 25.0kW

# DUCTED HIGH PRESSURE R410A

20.5 kW

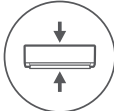
24.0 kW

Please see pages 40 & 41  
For Controller Options

A++ / A+



Silence

Compact  
Design

Fresh Air



On-Off Card

- Low noise level
- Compact design
- 'Fresh air' knockout is incorporated in the chassis to allow fresh air introduction of up to 20% of nominal unit air flow without compromising the cooling capacity. More than 20% of the air conditioner's thermal cooling capacity is penalised
- Condensate drain by gravity - drain pump not provided

INDOOR UNIT	Model		ADH200H1ERG	ADH250H1ERG
OUTDOOR UNIT	Model		1UH200W1ERK	1UH250W1ERK
<b>Performance data</b>				
Output power - COOLING	nom (min-max)	kW	20,5 (6,2 - 23,5)	24,0 (7,2 - 26,5)
Output power - HEATING	nom (min-max)	kW	22,8 (7,2 - 24,8)	26,8 (8,2 - 28,8)
Absorbed power - COOLING	nom (min-max)	kW	6,1 (2,5 - 8,5)	7,47 (3,5 - 9,5)
Absorbed power - HEATING	nom (min-max)	kW	6,0 (2,5 - 8,5)	7,18 (3,5 - 9,5)
Energy class	EER	W/W	3,36	3,21
	COP	W/W	3,8	3,73
COOLING Pdesign	35 °C	kW	20	24
HEATING Pdesign	(-10 °C)	kW	17	21
Energy class	SEER		6,1 (A++)	6,1 (A++)
	SCOP		4 (A+)	4 (A+)
Annual Energy Consumption - COOLING		kWh/a	/	/
Annual Energy Consumption - HEATING		kWh/a	/	/
<b>Indoor Unit</b>				
Power supply		Ph/V/Hz	1/220-230/50/60	1/220-230/50/60
Treated air volume	(H/M/L/Q)	m <sup>3</sup> /h	4320/3780/3420/3060	5040/4500/3960/3600
External static pressure		Pa	62/90/110/130/150/170/190/ 210/230/250	62/90/110/130/150/170/190/ 210/230/250
High sound power		dB	68	69
Sound pressure		dB(A)	45/50/54	47/51/55
Net dimensions	WxDxH	mm	1330x895x500	1330x895x500
Packaging dimensions	WxDxH	mm	1510x1037x568	1510x1037x568
Net/gross weight		kg	96	96
<b>Outdoor Unit</b>				
Power supply		Ph/V/Hz	3/380-400/50/60	3/380-400/50/60
Power cable		N x mm <sup>2</sup>	5 x 4,0	5 x 4,0
Interconnection cable		N x mm <sup>2</sup>	4 x 2,5	4 x 2,5
Sound power	H	dB	75	75
Sound pressure	H	dB(A)	58	58
Running current cooling/heating	Max	A	15,3/15,3	15,3/15,3
Starting current cooling/heating	Max	A	3,0/ 3,0	3,0/ 3,0
Net dimensions	WxDxH	mm	1636x1050x400	1636x1050x400
Packaging dimensions	WxDxH	mm	1050x485x1130	1050x485x1130
Net/gross weight		kg	160	160
Compressor type			Twin Rotary	Twin Rotary
<b>Installation data</b>				
Refrigerant			R410A	R410A
Liquid pipe	Ø	mm (inch)	12,70 (1/2)	12,70 (1/2)
Gas pipe	Ø	mm (inch)	19,05 (3/4)	22,22 (7/8)*
Standard pipe length without refrigerant charge		m	30	30
Maximum pipe length		m	75	75
Maximum IU - OU elevation		m	30	30
Refrigerant charge in the factory		kg	6,10	6,10
Refrigerant charge in the factory		TCO <sub>2</sub> eq	13,25	13,25
Additional ref. charge over std length		g/m	80	80
Outdoor operating limits - COOLING	min-max	°C		-10-46
Outdoor operating limits - HEATING	min-max	°C		-15-24

\*A 19.05 mm flare socket must be used and welded to the 22.22 mm gas pipe to connect the unit to the gas pipe. The nozzle is not supplied with the unit.

The data in this catalogue is purely indicative as the data may vary. Please be advised to check the accuracy of the data with the supplier before purchasing products.