




Product Data



1 Product Data

1.1 Lineup

1.1.1 Main Unit

Series	Model	Product Code	Cooling Capacity (kW)	Heating Capacity (kW)	Power Supply	Refrigerant	Appearance	
VERSATI III	GRS-CQ4.0Pd/NhH-E	ER01001510	3.8	4	230VAC, 50Hz	R32		
	GRS-CQ4.0Pd/NhH2-E	ER01002490	3.8	4				
	GRS-CQ6.0Pd/NhH-E	ER01001500	5.8	6				
	GRS-CQ6.0Pd/NhH2-E	ER01002480	5.8	6				
	GRS-CQ8.0Pd/NhH-E	ER01001480	7	8				
	GRS-CQ8.0Pd/NhH2-E	ER01002500	7.7	8				
	GRS-CQ8.0Pd/NhH5-E	ER01002230	7	8				
	GRS-CQ10.0Pd/NhH-E	ER01001750	8.5	9.5				
	GRS-CQ10Pd/NhH2-E	ER01002510	9.4	10				
	GRS-CQ10.0Pd/NhH5-E	ER01002200	8.5	9.5				
	GRS-CQ12Pd/NhH-E	ER01002000	11	12				
	GRS-CQ14Pd/NhH-E	ER01002020	12.6	14				
	GRS-CQ16Pd/NhH-E	ER01002010	13	15.5				
	GRS-CQ8Pd/NhH-M	ER01001810	8.5	8	400VAC, 50Hz			
	GRS-CQ10Pd/NhH-M	ER01001840	10	10				
	GRS-CQ12Pd/NhH-M	ER01001980	11	12				
	GRS-CQ14Pd/NhH-M	ER01001990	12.6	14				
	GRS-CQ16Pd/NhH-M	ER01002030	13	15.5				

1.1.2 Water Tank

Model	Product Code	Nominal Cubage(L)	Appearance
SXTVD300LCJ2/A-K	ER20000350	300	
SXTVD300LC/B-M	ER01002460	300	
SXTVD300LC/B-E	ER20000370		

1.2 Nomenclature

1.2.1 Main Unit

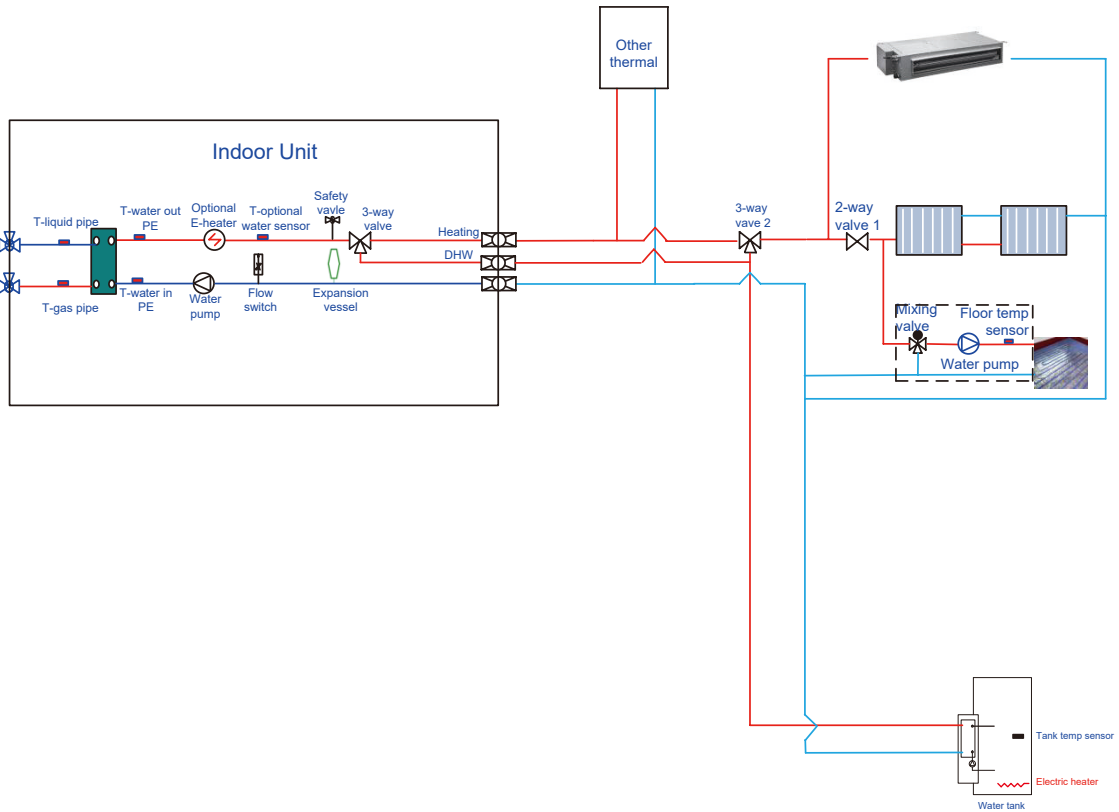
G	RS	-	C	Q	10	Pd	/	Nh	H	-	E	(O)
1	2		3	4	5	6		7	8		9	10

NO.	Description	Options
1	GREE	G-GREE Air to water heat pump
2	Heat Pump Water Heater	RS
3	Heating Mode	S= Static; C=Circulating
4	Function	Q=Multi-function; Omit=Single-function
5	Nominal Heating Capacity	6.0=6.0kW; 8.0=8.0kW;10=10kW;
6	Compressor Type	Pd=DC Inverter; Omit=On/Off
7	Refrigerant	Nh=R32
8	Design Serial Number	B,C,D.....
9	Power Supply	E=230V,~,50Hz
10	Indoor and Outdoor Unit Code	I=Indoor unit; O=Outdoor unit

1.2.2 Water Tank

SX	T	V	D	300	L	C	J2	/	A	-	K
1	2	3	4	5	6	7	8		9		10

NO.	Description	Options
1	Heat pump water tank	SX
2	Water tank material	Default- stainless steel; T- Enamel steel.
3	Tank Type	Default-Common heat pump water tank; V-Heat pump water tank for multi VRF system
4	Function Code	Default-No electric heating function; D-Electric heating function available



1.5 Technical Data

1.5.1 Parameter List

GRS-CQ_Pd/NhH(5)-E			4.0	4.0(H2)	6.0	6.0(H2)	8.0	8.0(H2)	8.0(H5)
Product Code (ER010__)			01510	02490	01500	02480	01480	02500	02230
Capacity*1	Cooling (floor cooling)	kW	3.8	3.9	5.8	5.8	7.0	7.7	7.0
	Heating (floor heating)	kW	4.0	4.0	6.0	6.0	8.0	8.0	8.0
Power Input*1	Cooling (floor cooling)	kW	0.80	0.68	1.32	1.13	1.75	1.72	1.75
	Heating (floor heating)	kW	0.78	0.77	1.20	1.20	1.70	1.61	1.70
EER*1(floor cooling)		W/W	4.75	5.74	4.4	5.15	4.0	4.48	4.0
COP*1(floor heating)		W/W	5.1	5.2	5.0	5.0	4.7	4.97	4.7
Capacity*2	Cooling (for Fan coil)	kW	3.15	3.4	4.09	4.0	5.3	7.15	5.3
	Heating (Fan coil or Radiator)	kW	4	4.1	5.9	5.8	8.0	8.0	8.0
Power Input*2	Cooling (for Fan coil)	kW	0.92	0.92	1.28	1.16	1.73	2.49	1.73
	Heating (Fan coil or Radiator)	kW	1.02	1.04	1.51	1.52	2.14	2.07	2.14
EER*2(for Fan coil)		W/W	3.4	3.69	3.2	3.45	3.0	2.87	3.0
COP*2(Fan coil or Radiator)		W/W	3.9	3.94	3.9	3.82	3.7	3.86	3.7
Refrigerant charge volume		kg	1.0	1.1	1.0	1.1	1.6	1.84	1.6
Sanitary water temperature		°C	40~80°C						

GRS-CQ_Pd/NhH-M			10	10(H2)	10 (H5)	12	14	16	
Product Code (ER010 __)			01750	02510	02200	02000	02020	02010	
Capacity*1	Cooling (floor cooling)	kW	8.5	9.4	8.5	11	12.6	13	
	Heating (floor heating)	kW	9.5	10	9.5	12	14	15.5	
Power Input*1	Cooling (floor cooling)	kW	2.24	2.36	2.24	2.5	3.41	3.60	
	Heating (floor heating)	kW	2.07	2.10	2.07	2.4	2.98	3.44	
EER*1(floor cooling)		W/W	3.8	3.96	3.8	4.4	3.7	3.6	
COP*1(floor heating)		W/W	4.6	4.76	4.6	5	4.7	4.5	
Capacity*2	Cooling(for Fan coil)	kW	6.5	7.6	6.5	10.59	11.07	11.51	
	Heating (Fan coil or Radiator)	kW	9.5	9.85	9.5	12.4	14.48	16.09	
Power Input*2	Cooling(for Fan coil)	kW	2.27	2.77	2.27	3.79	4.18	4.49	
	Heating (Fan coil or Radiator)	kW	2.64	2.69	2.64	3.29	3.93	4.44	
EER*2(for Fan coil)		W/W	2.9	2.74	2.9	2.79	2.65	2.57	
COP*2(Fan coil or Radiator)		W/W	3.6	3.67	3.6	3.77	3.68	3.62	
Refrigerant charge volume		kg	1.6	1.84	1.6	1.84	1.84	1.84	
Sanitary water Temperature		°C	40~80						

GRS-CQ_Pd/NhH-M			12	14	16	8.0	10	
Product Code (ER010 __)			01980	01990	02030	01810	01840	
Capacity*1	Cooling (floor cooling)	kW	11	12.6	13	8.5	10	
	Heating (floor heating)	kW	12	14	15.5	8	10	
Power Input*1	Cooling (floor cooling)	kW	2.5	3.41	3.6	1.74	2.33	
	Heating (floor heating)	kW	2.4	2.98	3.44	1.55	2.06	
EER*1(floor cooling)		W/W	4.4	3.7	3.6	/	4.9	
COP*1(floor heating)		W/W	5	4.7	4.51	/	5.2	
Capacity*2	Cooling(for Fan coil)	kW	10.65	11.24	11.52	7.6	8.2	
	Heating (Fan coil or Radiator)	kW	12.29	14.44	16.13	8.0	10.2	
Power Input*2	Cooling(for Fan coil)	kW	3.74	4.13	4.38	1.52	1.91	
	Heating (Fan coil or Radiator)	kW	3.09	3.63	4.16	1.92	2.55	
EER*2(for Fan coil)		W/W	2.85	2.72	2.63	5.0	4.3	
COP*2(Fan coil or Radiator)		W/W	3.98	3.98	3.88	4.16	4	
Refrigerant charge volume		kg	1.84	1.84	1.84	1.84	1.84	
Sanitary water Temperature		°C	40~80					

GRS-CQ_Pd/NhH-E(0)			4.0	4.0(H2)	6.0	6.0(H2)
Product Code (ER010__)			W1510	W2350	W1500	W2370
Sound Pressure Level	Cooling	dB(A)	52	52	52	52
	Heating	dB(A)	52	52	52	52
Dimensions (W×D×H)	Outline	mm	975×396×702	975×396×702	975×396×702	975×396×702
	Packaged	mm	1028×458×830	1028×458×830	1028×458×830	1028×458×830
Net weight/Gross weight		kg	55/65	55/63	55/65	55/63

GRS-CQ_Pd/NhH-E(0)			8.0	8.0(H2)	10	10(H2)
Product Code (ER010__)			W1480	W2340	W1730	W2360
Sound Pressure Level	Cooling	dB(A)	55	55	55	55
	Heating	dB(A)	55	55	55	55
Dimensions (W×D×H)	Outline	mm	982×427×787	982×427×787	982×427×787	982×427×787
	Packaged	mm	1097×478×937	1097×478×937	1094×478×937	1097×478×937
Net weight/Gross weight		kg	82/92	82/92	82/92	82/92

GRS-CQ_Pd/NhH-M(0)			12	14	16	12
Product Code (ER010__)			W2000	W2020	W2010	W1980
Sound Pressure Level	Cooling	dB(A)	68	68	68	68
	Heating	dB(A)	68	68	68	68
Dimensions (W×D×H)	Outline	mm	940×460×820	940×460×820	940×460×820	940×460×820
	Packaged	mm	1073×563×868	1073×563×868	1073×563×868	1073×563×868
Net weight/Gross weight		kg	58/67	58/67	58/67	58/67

GRS-CQ_Pd/NhH-M(0)			14	16	8.0	10
Product Code (ER010__)			W1990	W2030	W1810	W1840
Sound Pressure Level	Cooling	dB(A)	68	68	55	55
	Heating	dB(A)	68	68	55	55
Dimensions (W×D×H)	Outline	mm	940×460×820	940×460×820	982×395×787	982×395×787
	Packaged	mm	1073×563×868	1073×563×868	478×1097×937	478×1094×937
Net weight/Gross weight		kg	58/67	58/67	88/98	88/98

GRS-CQ_Pd/NhH(5)-E(I)			4.0	4.0(H2)	6.0	6.0(H2)	8.0	8.0(H2)
Product Code (ER010__)			N1510	N2490	N1500	N2480	N1480	N2500
Sound Pressure Level	Cooling	dB(A)	29	29	29	29	29	29
	Heating	dB(A)	29	29	29	29	29	29
Dimensions (W×D×H)	Outline	mm	460(W)	460(W)	460(W)	460(W)	460(W)	460(W)
		mm	318(D)	318(D)	318(D)	318(D)	318(D)	318(D)
	Packaged	mm	860(H)	860(H)	860(H)	860(H)	860(H)	860(H)
		mm	565(W)	565(W)	565(W)	565(W)	565(W)	565(W)
Net weight/Gross weight		kg	62/71	62/71	62/71	62/71	62/71	62/71

GRS-CQ_Pd/NhH(5)-E(I)			8.0(H5)	10	10(H2)	10(H5)
Product Code (ER010__)			N2230	N1750	N2510	N2200
Sound Pressure Level	Cooling	dB(A)	29	29	29	29
	Heating	dB(A)	29	29	29	29
Dimensions (W×D×H)	Outline	mm	460(W)	460(W)	460(W)	460(W)
		mm	318(D)	318(D)	318(D)	318(D)
	Packaged	mm	860(H)	860(H)	860(H)	860(H)
		mm	565(W)	565(W)	565(W)	565(W)
Net weight/Gross weight		kg	62/71	62/71	62/71	62/71

GRS-CQ_Pd/NhH-E(I)			12	14	16
Product Code (ER010__)			N2000	N2020	N2010
Sound Pressure Level	Cooling	dB(A)	42	42	42
	Heating	dB(A)	42	42	42
Dimensions (W×D×H)	Outline	mm	860×460×318	860×460×318	860×460×318
	Packaged	mm	568×1133×390	568×1133×390	568×1133×390
Net weight/Gross weight			kg	62/71	62/71

GRS-CQ_Pd/NhH-M(I)			8.0	10	12	14	16
Product Code (ER010__)			N1810	N1840	N1980	N1990	N2030
Sound Pressure Level	Cooling	dB(A)	42	42	42	42	42
	Heating	dB(A)	42	42	42	42	42
Dimensions (W×D×H)	Outline	mm	915×460×318	915×460×318	860×460×318	860×460×318	860×460×318
	Packaged	mm	568×1133×390	568×1133×390	568×1133×390	568×1133×390	568×1133×390
Net weight/Gross weight			kg	60/69	60/69	62/71	62/71

Notes

(a) “*1” indicates the capacity and power input are tested based on the conditions below:

Cooling:

Indoor Water Temperature: 23°C/18°C; Outdoor Temperature: 35°CDB/24°CWB

Heating:

Indoor Water Temperature: 30°C/35°C; Outdoor Temperature: 7°CDB/6°CWB

(b) “*2” indicates the capacity and power input are tested based on the conditions below:

Cooling:

Indoor Water Temperature: 12°C/7°C; Outdoor Temperature: 35°CDB/24°CWB

Heating:

Indoor Water Temperature: 40°C/45°C; Outdoor Temperature: 7°CDB/6°CWB

1.5.2 Nominal Working Conditions

Item	Water Side		Heat Source/User Side	
	Entering Water Temp (°C)	Leaving Water Temperature (°C)	Dry Bulb Temperature (°C)	Wet Bulb Temperature (°C)
FCU Cooling	12	7	35	—
FCU Heating	40	45	7	6
Floor Cooling	23	18	35	—
Floor Heating	30	35	7	6
Water Heating	53	-	7	6

1.5.3 Operation Range

Item	Water Side	Heat Source/User Side
	Leaving Water Temperature (°C)	Environment Dry Bulb Temperature (°C)
Cooling	7~25	10~48
Heating	20~60	-25~35
Water Heating	40~80 (Water Tank Temperature)	-25~45

Note: when operating conditions are out of the range listed above, please contact GREE.

1.5.4 Temperature sensor parameter

Displayed Name	Inspection range(°C)	Nominal working datas			Remark
		Cooling	Heating	Hot water	
T-outdoor	-30~150	8~50	-27~37	-27~45	temperature sensor resistance 15K
T-suction	-30~150	5~30	-25~20	-25~30	temperature sensor resistance 20K